

DIGITAL READOUT FOR ROTARY ENCODERS MODEL CT800

Features



- 6 digit bright 7 segment Red LED display for count display
- Scale factor user settable from 0.00001 to 9.99999
- 6 digit Preset value user settable
- Pulse multiplication technique used for counting improves resolution 4 times.
- Solid state memory to save user settings and count on power failure
- Program Lock to prevent tampering with settings
- Aesthetically designed front panel with touch type membrane keys
- Housed in plastic ABS cabinet

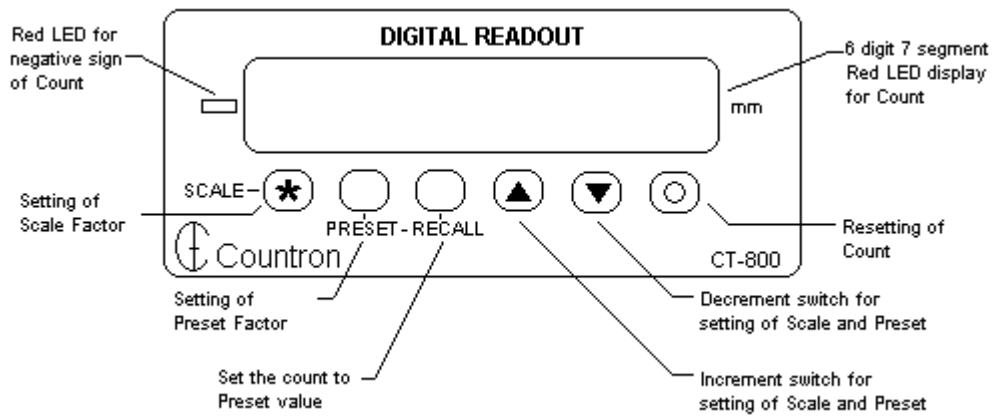
Specifications

- Display : 6 digit 7 segment Red LED display for count display
Red LED to indicate negative sign
- Input Signal : +5V pulses from Channel A and Channel B of rotary/linear encoder
- Encoder Supply : 12V DC
- Scale Factor : User settable from 0.00001 to 9.99999
- Count per Rev. : (Pulses/Rev from encoder) x 4 x Scale Factor
- Preset Value : User settable from -999999 to 999999
- Count Range : -999999 to +999999
- Memory : EEPROM to save settings and current count on power failure
- Program Lock : By rear jumper (open to lock) to prevent changes in
 - Scale factor
 - Preset value
 - Disables Resetting of Count (Zero)
 - Disables Presetting of Count to preset value
- Size : 48mm x 96mm
- Depth : 180mm
- Supply : 220V AC \pm 15%
- Ambient : 0-55°C
- Humidity : Up to 90% (non-condensing)

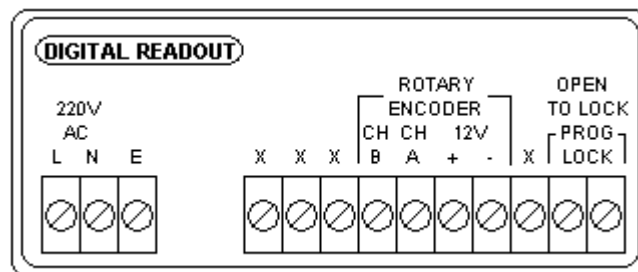
Manufactured By:

COUNTRONICS

FRONT PANEL INDICATIONS



REAR TERMINAL CONNECTIONS



- **L,N and E:** Line and Neutral terminals to connect 220V AC mains. Earth terminal is connected to mains Earth
- **CH B and CH A:** Connect the signals A and B from digital encoder giving +5V pulses
- **12V (+ & -):** 12V supply for digital encoder
- **Prog Lock Terminals:** After settings have been made, remove jumper to prevent changes in Scale, Preset and Count from front panel

Manufactured By:

COUNTRONICS