

FLOW INDICATOR MODEL 2502



Features

- 4 digit display for Flow Rate with resolution from 0.001 to 1
- 6 digit totaliser for integrated flow values with resolution setting from 1 to 0.001
- Multiplier programmable with resolution ranging from 0.001 to 0.00001
- Input frequency range from 10 pulses/min to 50,000 pulses/min
- Totalized flow saved in memory on power failure
- Rear panel configuration lock
- Aesthetically designed front panel with membrane switches
- Attractive ABS cabinet

Specifications

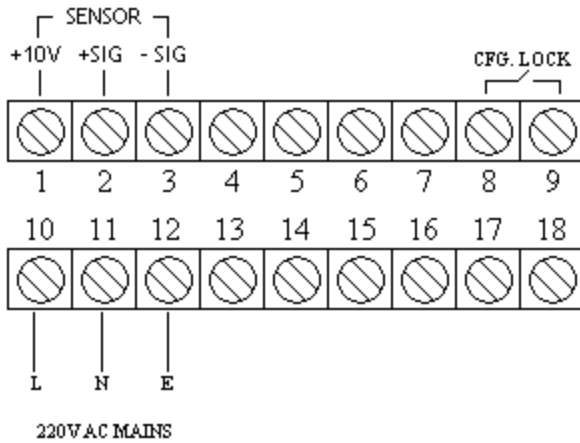
- Display : 4 digit 0.56" 7 segment Red LED display for Flow Rate
6 digit 0.56" 7 segment Red LED display for Totaliser
- Multiplier : Range: 0.001 to 999.999
- Flow Rate : 0.001 to 9999 units per min
Flow Rate = (Input pulses per min) * (Multiplier)
- Totalized Flow : 0.001 to 999999
- Memory : Totalized flow saved in EEPROM to prevent loss on power failure
- Totalized Reset : By front panel touch switch
- Input Signal : From turbine type flow sensors (Open collector-NPN)
Range: 0.17Hz to 1KHz
Sensor Supply: 10V DC provided by instrument
- Configuration Lock : By rear jumper to prevent tampering with Multiplier and resolution settings for flow rate, multiplier and totalized flow values.
- Supply : 220V AC \pm 15% @ 50/60Hz
- Dimensions : 96mm x 96mm x 135mm.
Panel Cut Out: 91mm x 91mm
- Weight : 800 grams

Manufactured By:

COUNTRONICS

Website: www.countronics.com Email: countron@nde.vsnl.net.in

Terminal Connections

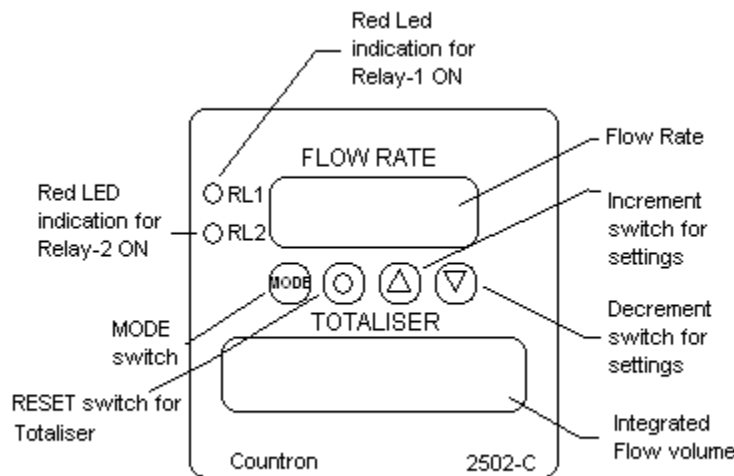


- Pin 1 : +10V supply for turbine flow sensor
- Pin 2 : Positive input for signal from sensor
- Pin 3 : Negative input for signal from sensor
- Pin 8&9: Configuration Lock (Open to lock)
- Pin 10 : Line
- Pin 11 : Neutral (220V AC)
- Pin 12 : Earth

Installation

- The panel cut out of 92mm x 92mm is required. The instrument is pushed in from the front and held tightly in the panel by screwing the two side clamps from the rear.
- To wire the equipment, refer to the pin-connections label on the top of the instrument or as detailed previously.
- Connect 220V AC mains to Pins 10 & 11. Connect Earth terminal Pin 12 to Mains Earth. As this is a micro-controller based equipment, it is advisable to connect the Earth.
- Connecting the turbine type flow sensor
 - Pin 1: +10V Sensor Supply
 - Pin 2: Positive input for signal from sensor supply
 - Pin 3: Negative input for signal from sensor supply

Front Panel Description



Manufactured By:

COUNTRONICS

Website: www.countronics.com Email: countron@nde.vsnl.net.in